

Client \_\_\_\_\_ Quantity \_\_\_\_\_  
 Project \_\_\_\_\_ Position \_\_\_\_\_

## Modi Up Blast Chiller

**Model:** W5UG

**Cod:** W11033010001



Abbattitore multifunzione Modi versione Up 5 teglie GN1/1, profondità 700 mm, Plug-In con condensazione ad aria, classe climatica 5, range di temperatura -40°+10°C. Touch screen 4,3" sulla porta, carter apribile senza attrezzi, è dotato delle funzioni: abbattimento, surgelazione, ciclo manuale. Modalità di funzionamento con ricette personalizzabili, a tempo o con sonda al cuore. Ventilazione regolabile 25-100%. Dotato di 5 posizioni per teglie GN1/1. Sistema Cosmo per la connessione wi-fi e monitoraggio da remoto.

### Technical data

<b>Top:</b>	Thickness 4 cm. Reinforced in order to place an oven
<b>Gross capacity:</b>	102 lt
<b>Temperature range:</b>	-40°+10°C
<b>Ventilation range:</b>	25% - 100%
<b>Humidifier:</b>	Not available
<b>Refrigerant unit:</b>	Plug-In
<b>Yield +90 / +3:</b>	20 Kg
<b>Yield +90 / -18:</b>	14 Kg
<b>Climate class:</b>	5
<b>Cooling gas:</b>	R452a
<b>Defrost:</b>	Hot gas
<b>Valve:</b>	Electronic expansion valve
<b>Dimensions (mm):</b>	710×700×853 mm
<b>Packing dimensions:</b>	805×800×901 mm
<b>Gross weight:</b>	105 Kg
<b>Voltage:</b>	220-240 V - 50 Hz
<b>Total rate:</b>	1030 W
<b>Absorbed Current:</b>	4,98 A
<b>Cooling capacity:</b>	1565 W*
<b>*:</b>	Evap. -10°C Cond. +45°C

### Features

<b>Functions:</b>	Blast chilling, shock freezing, continuous cycle
<b>Standard equipment:</b>	Support for 5 positions GN1/1
<b>Control:</b>	4,3" touch screen display with USB port
<b>Doors:</b>	Cushioned, with anti-odor system
<b>Door gasket:</b>	Magnetic, triple chamber and easily replaceable
<b>Core probe:</b>	Needle probe with 1 reading point, quick-release and easily replaceable
<b>Insulation:</b>	60 mm thickness - CFC/HCFC free
<b>Exterior/interior finishing:</b>	Exterior and interior AISI 304 stainless steel.
<b>Inner corners:</b>	Rounded for easy cleaning and ensuring maximum hygiene
<b>Handle:</b>	Stainless steel AISI 304, 2 mm thick
<b>Racks and slides:</b>	Structure in stainless steel wire AISI 304
<b>Feets:</b>	Stainless steel AISI 304, adjustable h 100-150 mm
<b>Cosmo:</b>	Wi-Fi remote control system

## Accessories and variants

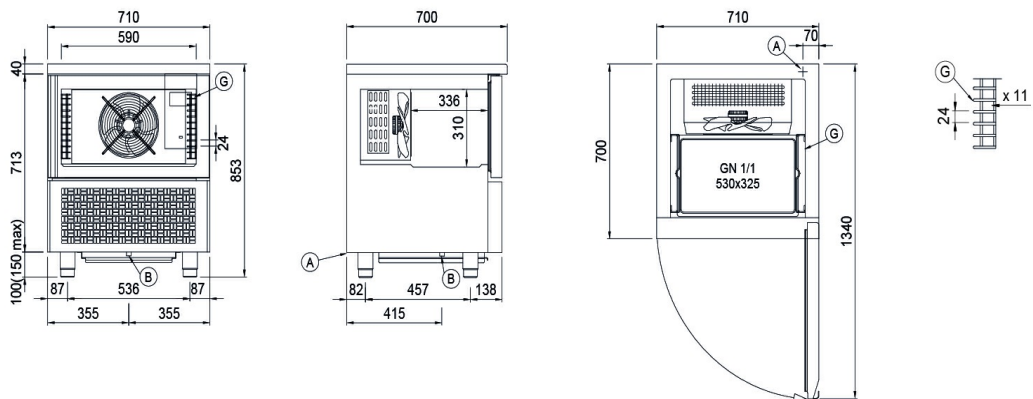
- \_\_\_\_\_ RAL customisable colouring
- \_\_\_\_\_ Sonda al cuore a 3 punti di lettura
- \_\_\_\_\_ Sonda al cuore riscaldata a 1 punto di lettura
- \_\_\_\_\_ Inversione apertura porta
- \_\_\_\_\_ Power supply frequency 60Hz
- \_\_\_\_\_ Other special voltage
- \_\_\_\_\_ Lowered foot h 55/70 mm
- \_\_\_\_\_ 4 Swivel and brake castors h 128 mm
- \_\_\_\_\_ Stainless steel shelf GN1/1
- \_\_\_\_\_ Plastic coated shelf GN1/1
- \_\_\_\_\_ Sterilizing UV lamp (U version)

## COSMO - wi-fi control

Cosmo is the wi-fi technology that allow to connect, update and monitor with a smartphone the MODI blast chiller. MODI is also a Cosmo hub and allow remote supervision of the Coldline devices connected to it.

\*The installation requires a kit for the replacement of the racks

## Technical draw



**A:** Power supply cable outlet

**B:** Condensation water drain

**G:** Racks pitch